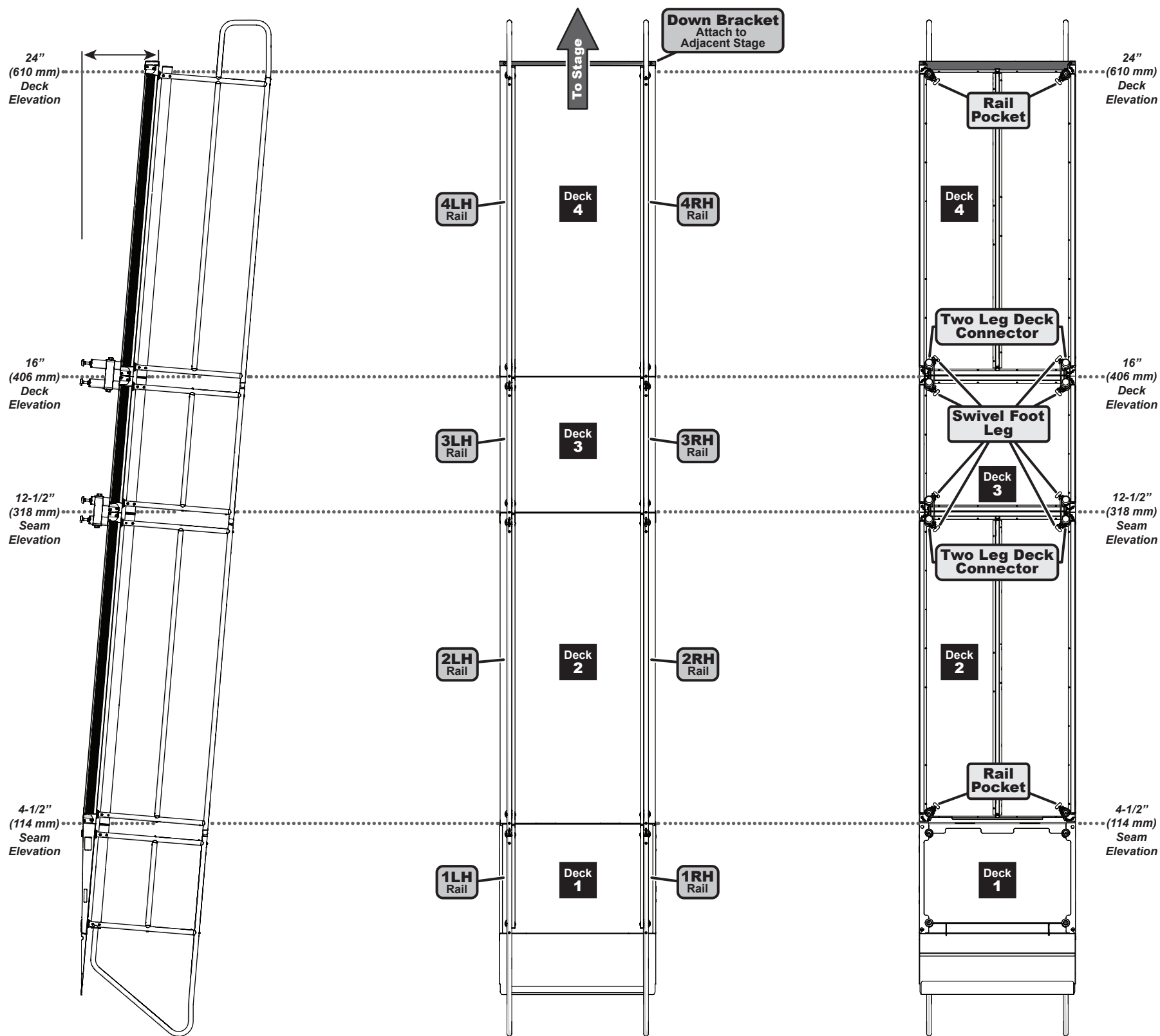
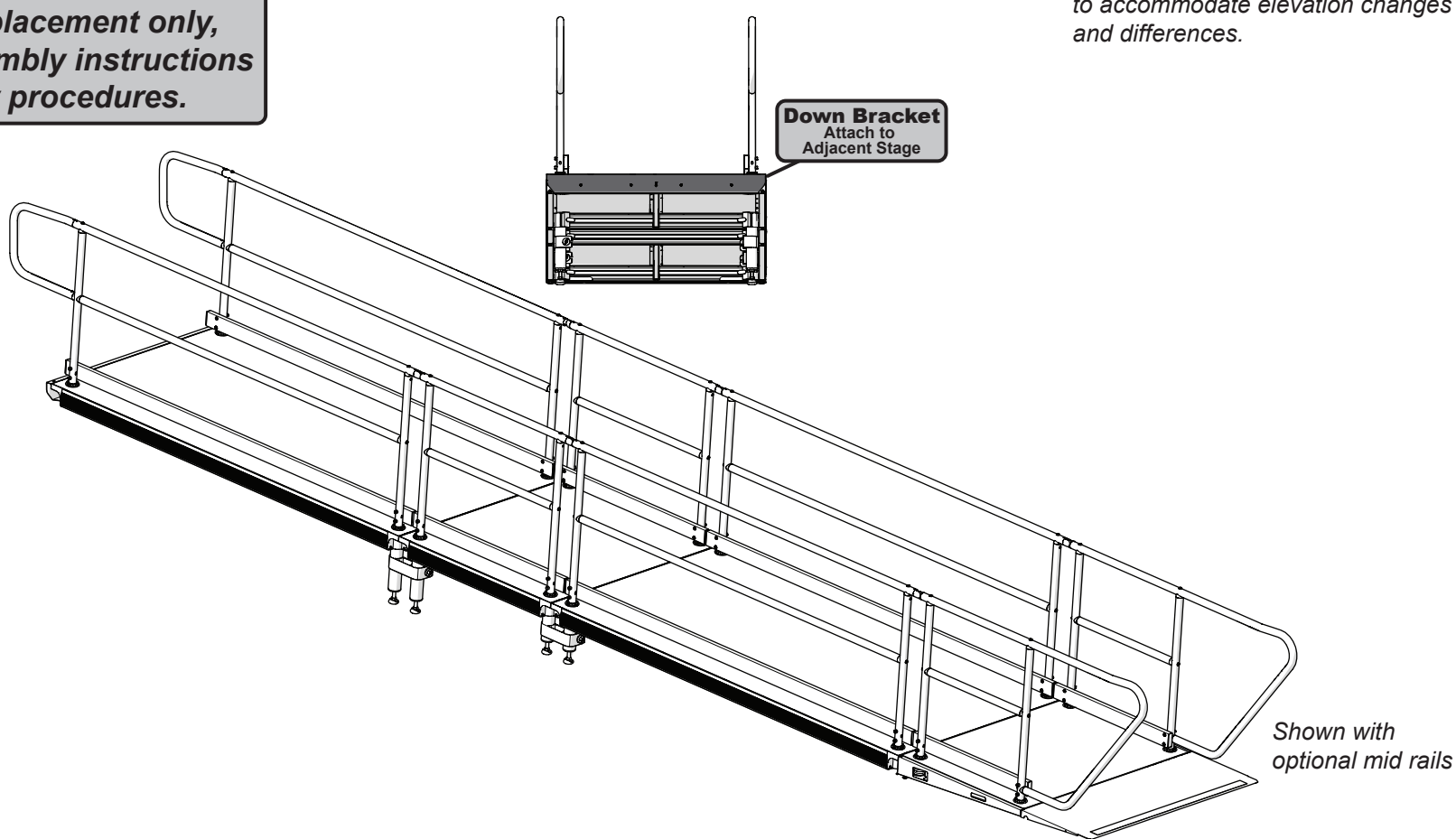


ADA Ramp - Deck and Leg Set Up Guide for 282A014 - 24" (610 mm) Elevation Ramp with no Switchback or Landing



This guide shows assembled component placement only, see the assembly instructions for assembly procedures.

Leg heights may need to be adjusted to accommodate elevation changes and differences.

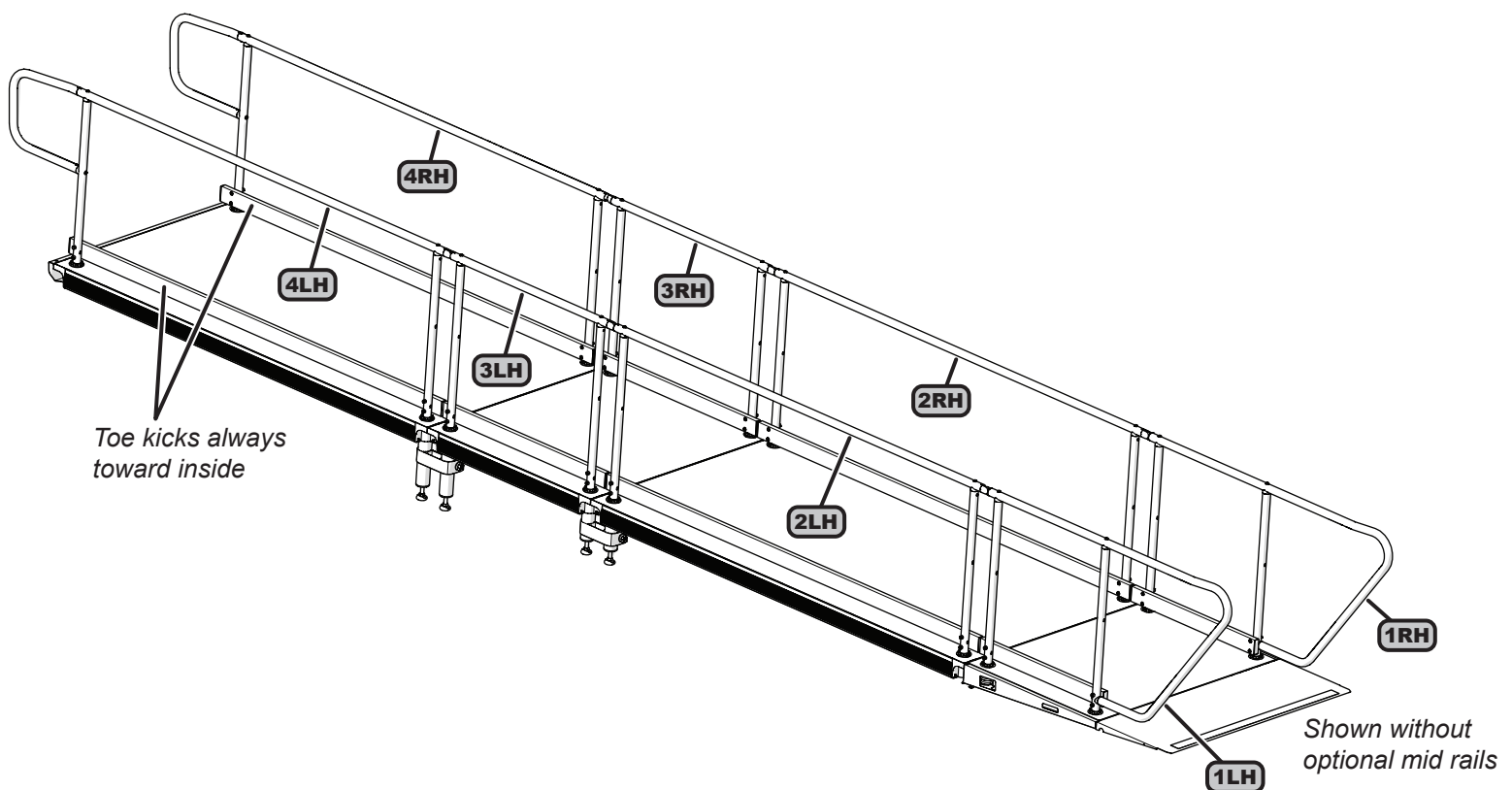
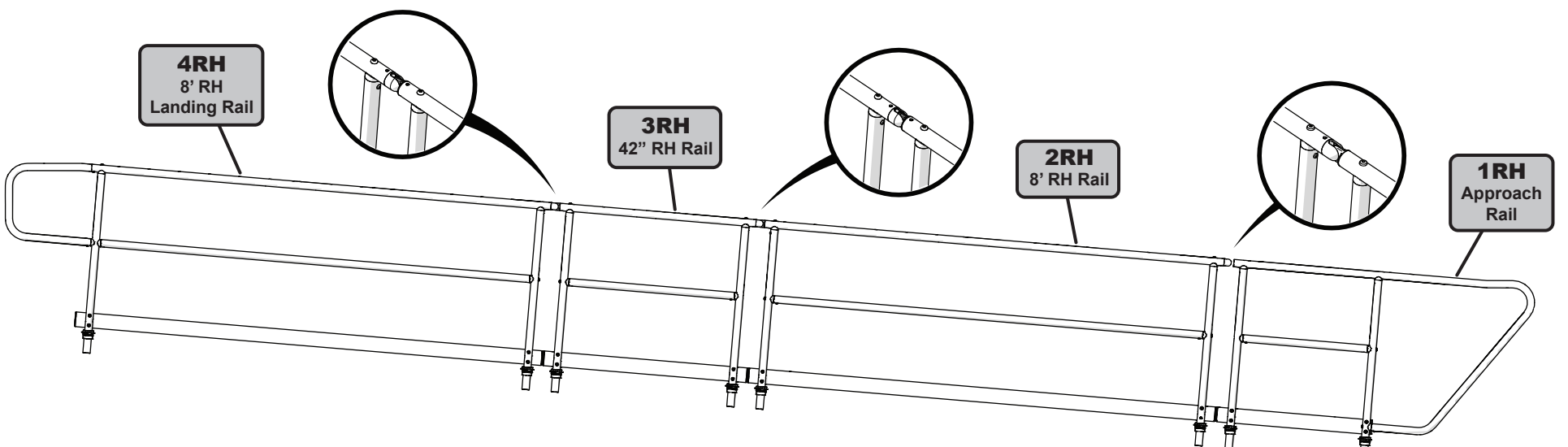
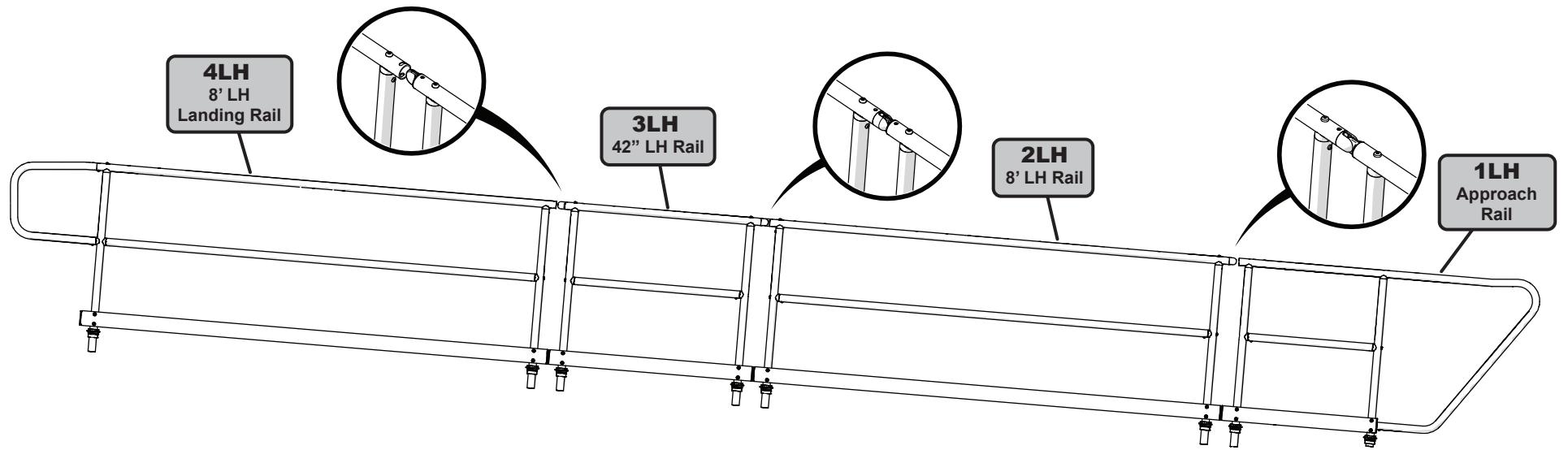


Wenger Corporation
555 Park Drive, PO Box 448
Owatonna, MN 55060
(800) 4WENGER (493-6437) | +1-507-455-4100
wengercorp.com

ADA Ramp - Rail Set Up Guide

for 282A014 - 24" (610 mm) Elevation Ramp with no Switchback or Landing

This guide shows assembled component placement only, see the assembly instructions for assembly procedures.



Wenger Corporation
 555 Park Drive, PO Box 448
 Owatonna, MN 55060
 (800) 4WENGER (493-6437) | +1-507-455-4100
 wengercorp.com